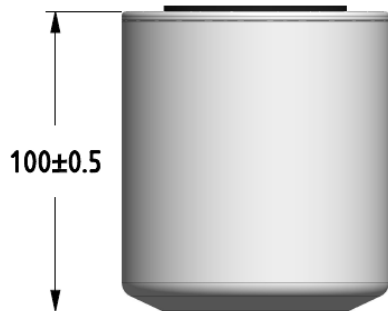
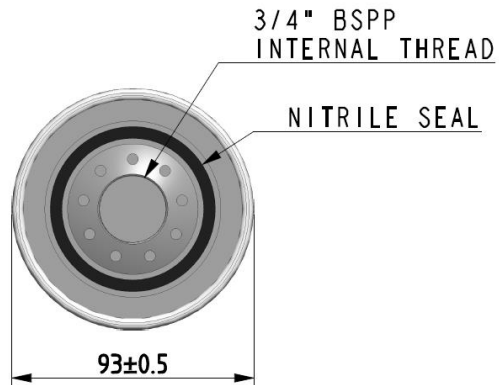


SPIN ON FILTER-S/F-T10-10B

FEATURES

- FLUID COMPATIBILITY-PETROLEUM BASED HYDRAULIC FLUID
- FLOW CAPACITY-35 LPM MAX
- FILTRATION -10 MICRONS
- PORT SIZE-3/4"BSPP(INTERNAL)
- BURST PRESSURE- 270 PSI
- BYPASS VALVE CRACKING- 3 PSI PRESSURE
- OPERATIONG TEMP-105° C MAX



NOTE: DIMENSIONS IN MM FOR REFERENCE ONLY