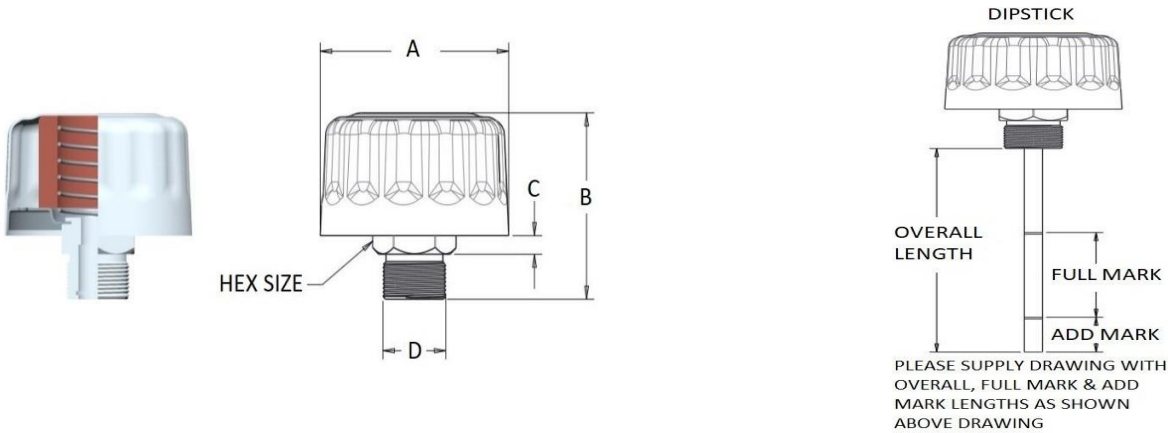


BREATHER THREADED-BT

FEATURES

- CHROME PLATED STEEL CAP-VENTS BELOW.
- MAXIMUM AIR FLOW 25 CFM (720 LPM).
- COMPATIBLE FOR PETROLEUM AND MINERAL BASED FLUIDS.
- FILTRATION STANDARD 40 MICRONS / OPTIONAL 10 MICRONS.
- OPTIONS : DIPSTICK



MODEL	MICRON RATING	DISPLACEMENT		A	B	C	D STD.	HEX SIZE	FEATURE OPTIONAL
		LPM	CFM						
BT-05/03	40	150	05	46	63	10	¼" BSP	25	B-BLACK POWDER COATED CAP
	10	90	03	46	63	10	¼" BSP	25	
	40	150	05	46	63	10	½" BSP	25	
	10	90	03	46	63	10	½" BSP	25	
BT-25/14	40	730	25	78	74	12	¾" BSP	30	
	10	400	14	78	74	12	¾" BSP	30	
	40	730	25	78	74	12	1" BSP	30	
	10	400	14	78	74	12	1" BSP	30	

MODEL CODE: ASSEMBLY

BT	-25	-40	_**	_**	_**
SERIES	CAPACITY CFM	FILTRATION μ MICRONS	FEATURE-1 THREADS	FEATURE-2 DIP STICK	FEATURE-3
BT	03 (90LPM)	10	1/4" BSP 1/2" BSP	DS-DIPSTICK	B-BLACK POWDER COATED CAP
	05 (150LPM)	40	1/4" BSP 1/2" BSP		
	14 (400 LPM)	10	3/4" BSP 1" BSP		
	25 (730 LPM)	40	3/4" BSP 1" BSP		

NOTE: DIMENSIONS IN MM FOR REFERENCE ONLY