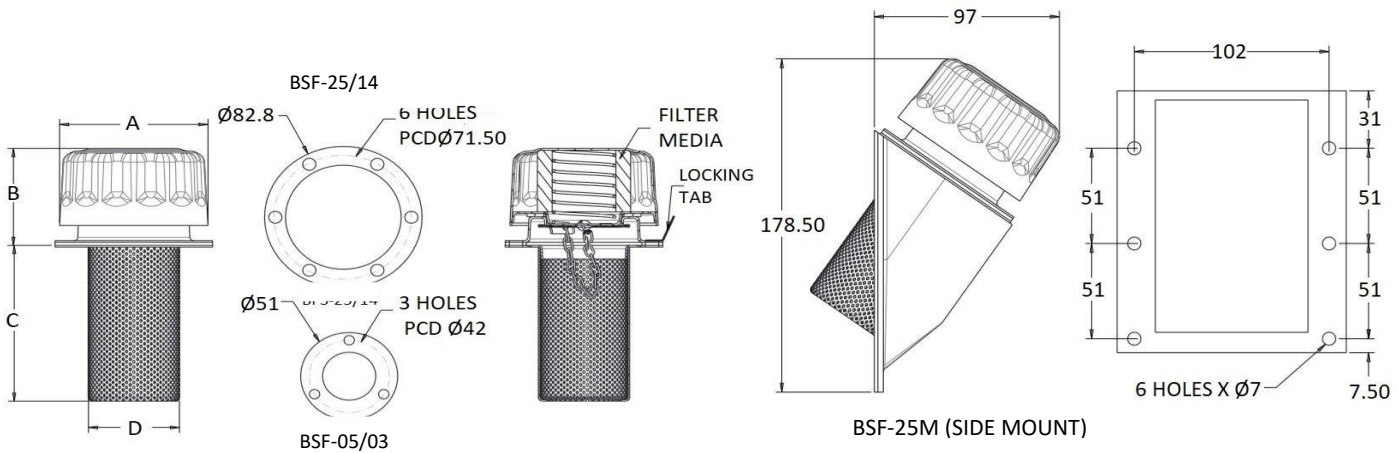


# BREATHER –BSF

## FEATURES

- CHROME PLATED STEEL CAP-VENTS BELOW.
- MAXIMUM AIR FLOW 25 CFM (720 LPM).
- COMPATIBLE FOR PETROLEUM AND MINERAL BASED FLUIDS.
- METAL STRAINER-STANDARD.
- FILTRATION STANDARD 40 MICRONS / OPTIONAL 10 MICRONS.
- OPTIONS: SIDE MOUNT WITH CAST ALUMINIUM HOUSING.
- HARDWARE INCLUDES GASKETS & (10-32) SCREWS.



MODEL	MICRON RATING	DISPLACEMENT		A	B	C	D	FEATURE OPTIONAL
		LPM	CFM					
BSF-05/03	40	150	05	46	49	66	28	Z-ZINC BLUE LACQUER COATED CAP
	10	90	03	46	49	66	28	
BSF-25/14	40	730	25	78	57	92	48	
	10	400	14	78	57	92	48	

## MODEL CODE: ASSEMBLY

BFS	-25	-40	_***
SERIES	CAPACITY <sub>CFM</sub>	FILTRATION μ MICRONS	FEATURE-1
BSF	03 (90LPM)	10	SM-SIDE MOUNT
	05 (150LPM)	40	
	14 (400 LPM)	10	
	25 (730 LPM)	40	

**NOTE:** DIMENSIONS IN MM FOR REFERENCE ONLY