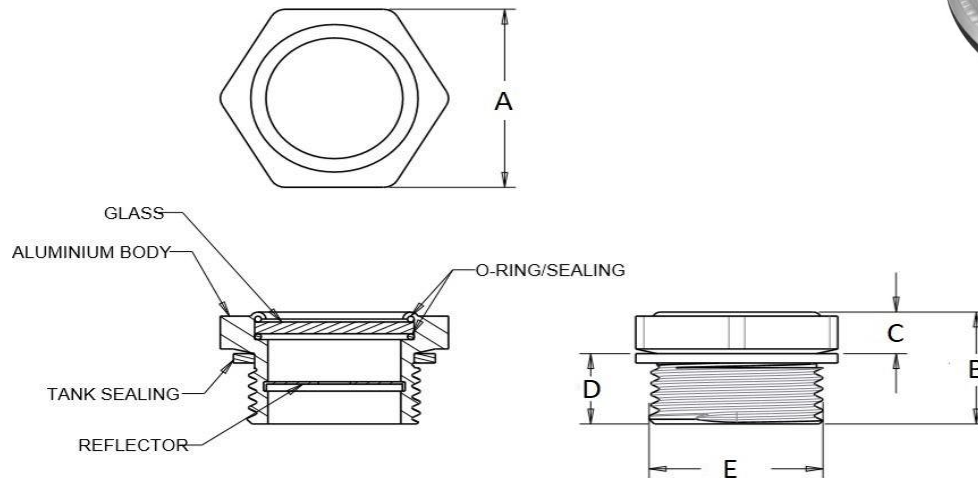


ALUMINIUM SIGHT GAUGE-ASG

FEATURES

- SHOCK RESISTANT.
- ALUMINIUM BODY CONSTRUCTION.
- FOR USE WITH PETROLEUM & MINERAL BASED FLUIDS.
- SEALING TYPE-BUNA N-SEAL.
- OPERATING 80°C.
- ANY CONTACTS WITH ALCOHOL OR SOLVENTS MUST BE AVOIDED.



MODEL NO.	A	B	C	D	E
ASG-03	25.50	27	12	15	3/8" BSPP/NPT
ASG-04	25.50	27	12	15	1/2" BSPP/NPT
ASG-06	32.00	27	12	15	3/4" BSPP/NPT
ASG-08	38.00	27	12	15	1" BSPP/NPT
ASG-10	50.00	27	12	15	1-1/4" BSPP/NPT
ASG-12	55.00	27	12	15	1-1/2" BSPP/NPT

MODEL CODE: ASSEMBLY

ASG	-03	_*_*
SERIES	SIZE	THREADS
ASG-ALUMINIUM BODY	03	3/8" BSPP
	04	1/2" BSPP
	06	3/4" BSPP
	08	1" BSPP
	10	1-1/4" BSPP
	12	1-1/2" BSPP

NOTE: DIMENSIONS IN MM FOR REFERENCE ONLY